



US00D750074S

(12) **United States Design Patent**  
**Coz et al.**

(10) **Patent No.:** **US D750,074 S**

(45) **Date of Patent:** **\*\* Feb. 23, 2016**

(54) **VIRTUAL REALITY HEADSET**

**DESCRIPTION**

(71) Applicant: **GOOGLE INC.**, Mountain View, CA (US)

(72) Inventors: **David Coz**, Mountain View, CA (US); **Damien Henry**, Malakoff (FR); **Christian Plagemann**, Palo Alto, CA (US); **Boris Smus**, San Francisco, CA (US)

(73) Assignee: **Google Inc.**, Mountain View, CA (US)

(\*\*) Term: **14 Years**

(21) Appl. No.: **29/516,996**

(22) Filed: **Feb. 9, 2015**

(51) **LOC (10) Cl.** ..... **14-02**

(52) **U.S. Cl.**  
USPC ..... **D14/372**

(58) **Field of Classification Search**  
USPC ..... D14/372, 496, 432, 371, 125, 126, 129, D14/299; D16/300-342; 351/158, 153, 144; 345/7-9, 905; 455/344; 348/115, 53, 348/121, 739  
CPC ..... G02B 27/017; G02B 27/0158; G02B 27/0161; G02B 27/0181; G02B 27/0185; G02B 27/0189  
See application file for complete search history.

(56) **References Cited**

U.S. PATENT DOCUMENTS  
D374,002 S \* 9/1996 Bassett ..... D14/372  
D687,434 S \* 8/2013 Serota ..... D14/372  
(Continued)

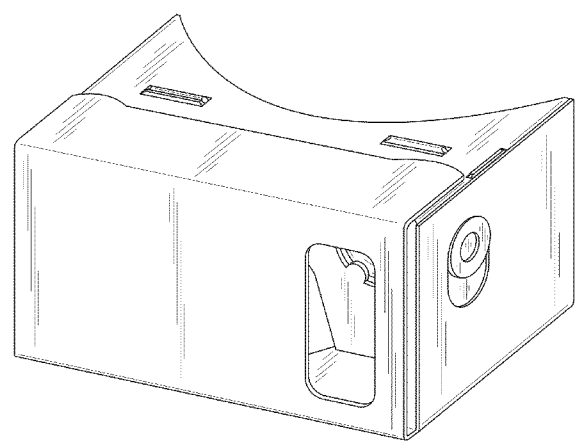
OTHER PUBLICATIONS  
"Google Cardboard", promotional materials found at [www.google.com/cardboard](http://www.google.com/cardboard), printed May 12, 2015, 3 pages. First available approximately Jun. 27, 2014.  
(Continued)

*Primary Examiner* — Austin Murphy  
(74) *Attorney, Agent, or Firm* — Brake Hughes Bellermann LLP

(57) **CLAIM**  
What is claimed is an ornamental design for a virtual reality headset, as shown and described herein.

FIG. 1 is a front perspective view of a virtual reality headset; FIG. 2 is a rear perspective view of the virtual reality headset shown in FIG. 1; FIG. 3 is a front view of the virtual reality headset shown in FIG. 1; FIG. 4 is a rear view of the virtual reality headset shown in FIG. 1; FIG. 5 is a left-side view of the virtual reality headset shown in FIG. 1; FIG. 6 is a right-side view of the virtual reality headset shown in FIG. 1; FIG. 7 is a top-side view of the virtual reality headset shown in FIG. 1; FIG. 8 is a bottom-side view of the virtual reality headset shown in FIG. 1; FIG. 9 is a front perspective view of a virtual reality headset; FIG. 10 is a rear perspective of the virtual reality headset shown in FIG. 9; FIG. 11 is a front view of the virtual reality headset shown in FIG. 9; FIG. 12 is a rear view of the virtual reality headset shown in FIG. 9; FIG. 13 is a left-side view of the virtual reality headset shown in FIG. 9; FIG. 14 is a right-side view of the virtual reality headset shown in FIG. 9; FIG. 15 is a top-side view of the virtual reality headset shown in FIG. 9; FIG. 16 is a bottom-side view of the virtual reality headset shown in FIG. 9; FIG. 17 is a front perspective view of a virtual reality headset; FIG. 18 is a rear perspective view of the virtual reality headset shown in FIG. 17; FIG. 19 is a front view of the virtual reality headset shown in FIG. 17; FIG. 20 is a rear view of the virtual reality headset shown in FIG. 17; FIG. 21 is a left-side view of the virtual reality headset shown in FIG. 17; FIG. 22 is a right-side view of the virtual reality headset shown in FIG. 17; FIG. 23 is a top-side view of the virtual reality headset shown in FIG. 17; and, FIG. 24 is a bottom-side view of the virtual reality headset shown in FIG. 17.  
Any broken lines in the drawing are for purposes of illustrating portions of the virtual reality headset and form no part of the claimed design.

**1 Claim, 24 Drawing Sheets**



(56)

**References Cited**

2010/0079356 A1 4/2010 Hoellwarth

U.S. PATENT DOCUMENTS

OTHER PUBLICATIONS

D701,206 S \* 3/2014 Luckey ..... D14/372  
D704,704 S \* 5/2014 Tatara ..... D14/372  
D719,953 S \* 12/2014 Nokuo ..... D14/372  
D727,318 S \* 4/2015 Garcia Marin ..... D14/372  
D732,028 S \* 6/2015 Kim ..... D14/372  
D738,374 S \* 9/2015 Luckey ..... D14/372  
D740,814 S \* 10/2015 Bosveld ..... D14/372

“Multipart Plan” dated Feb. 26, 2014, 1 page.  
“Photo 1” posted to Instagram by inventor on Oct. 6, 2013, 1 page.  
“Photo 2” posted to Instagram by inventor on Oct. 6, 2013, 1 page.  
“Photo 3” posted to Instagram by inventor on Oct. 6, 2013, 1 page.  
  
\* cited by examiner

FIG. 1

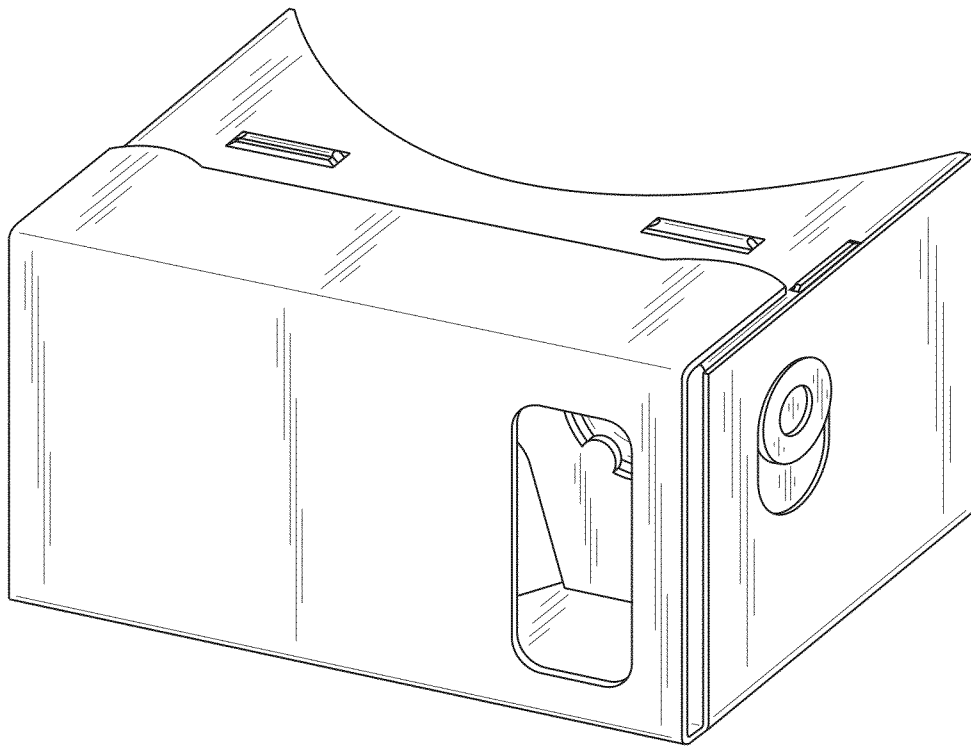


FIG.2

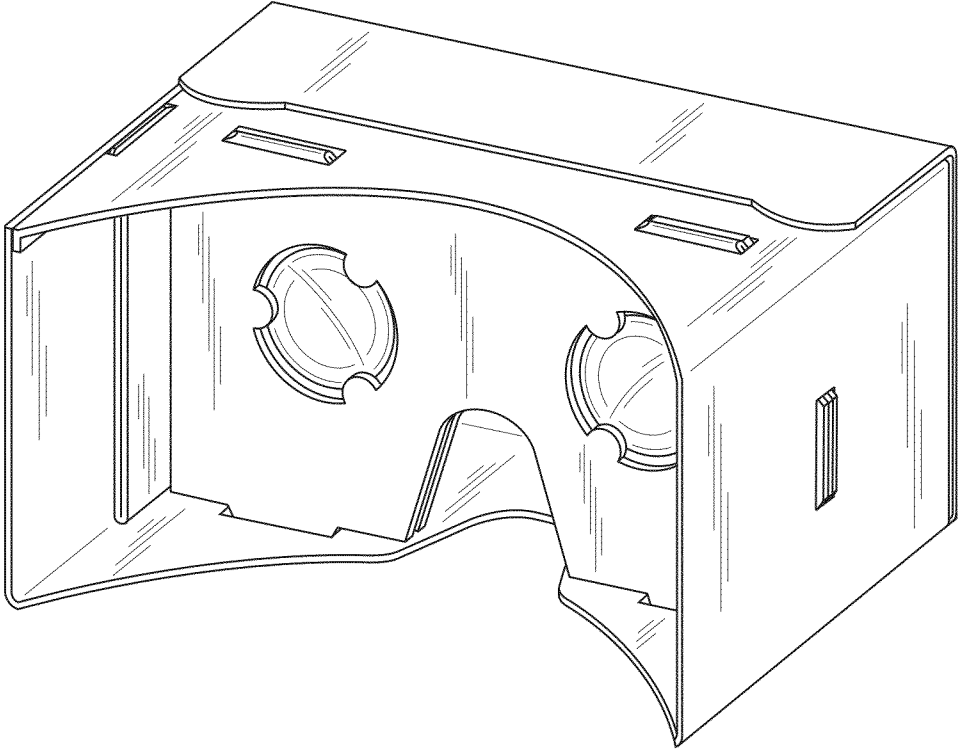


FIG.3

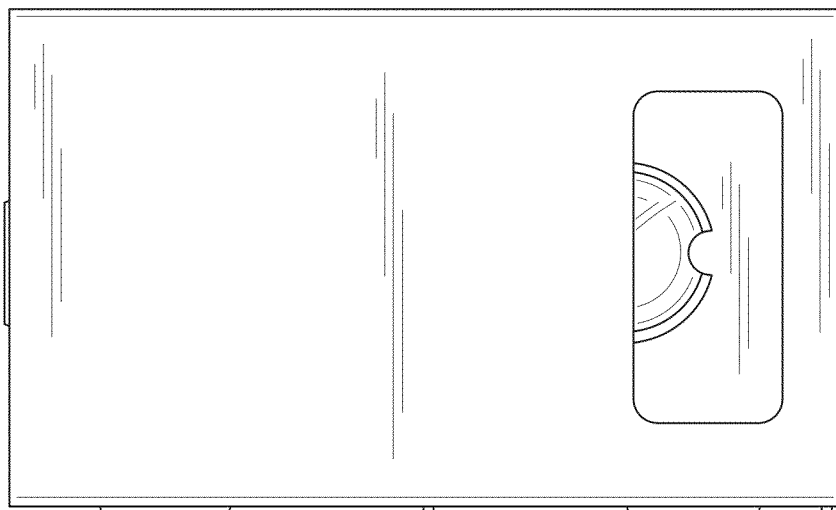


FIG.4

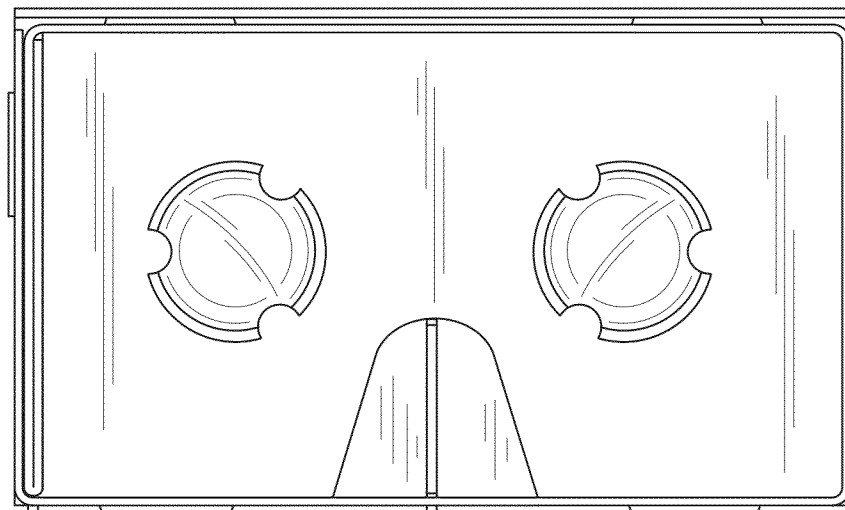


FIG.5

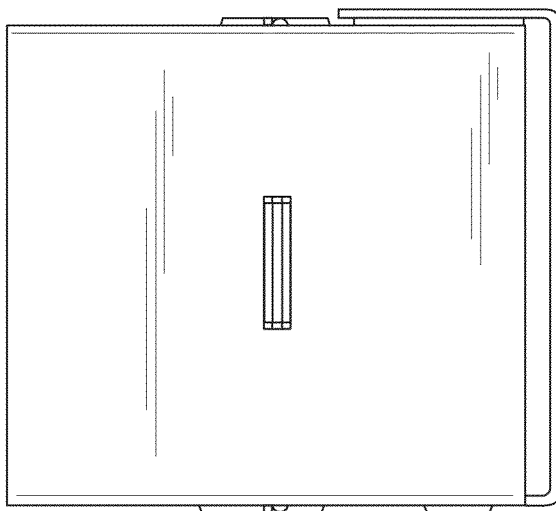


FIG.6

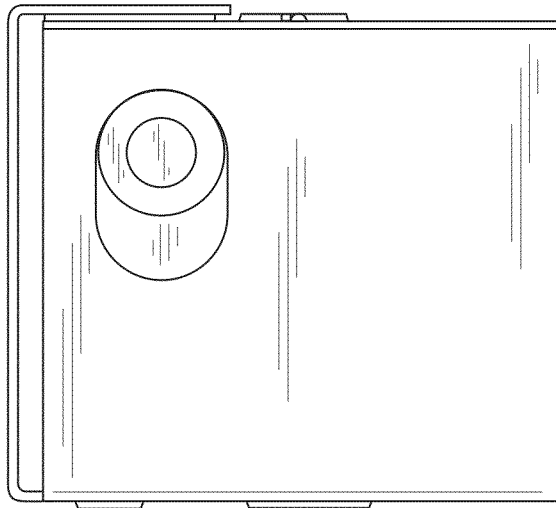




FIG.7

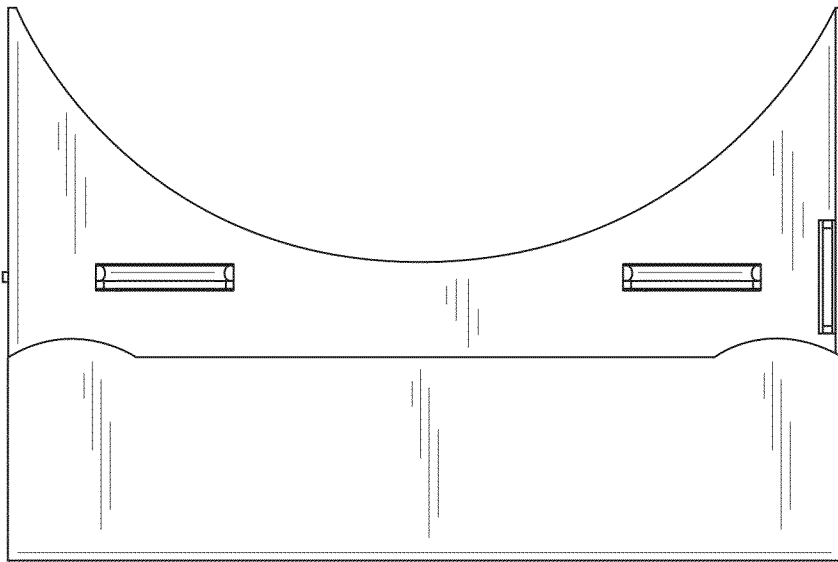


FIG.8

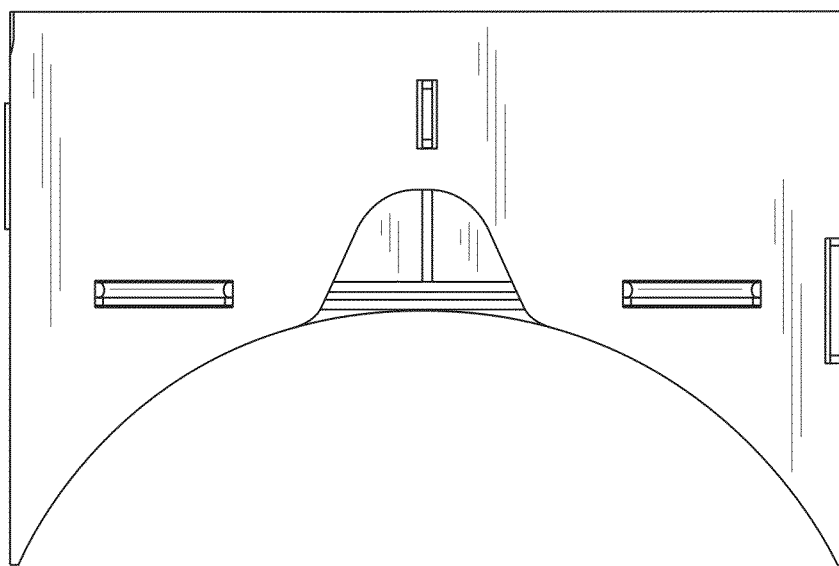


FIG.9

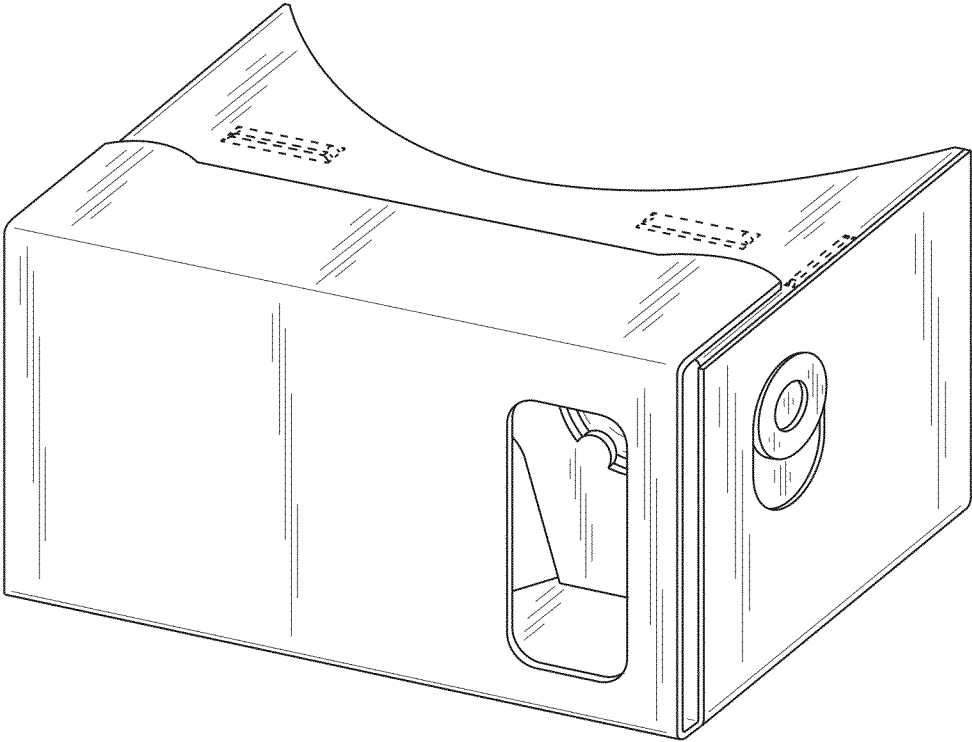


FIG.10

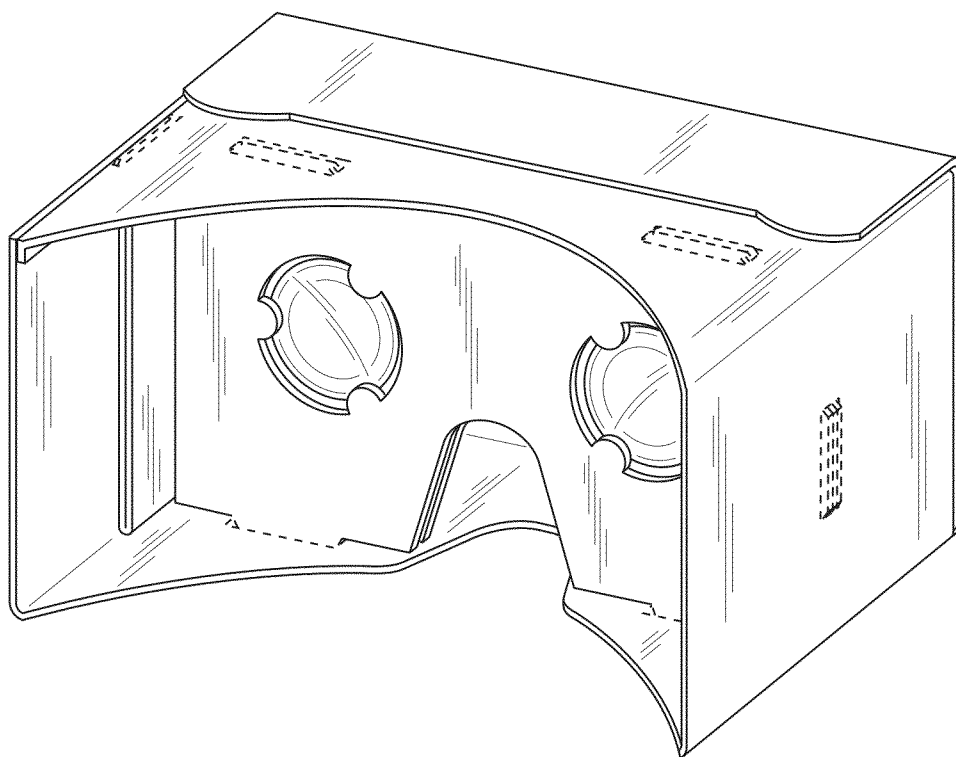


FIG.11

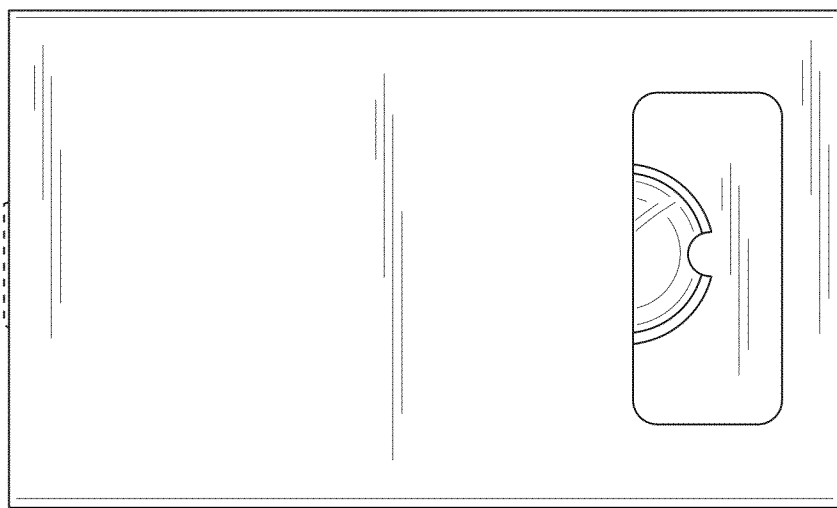


FIG.12

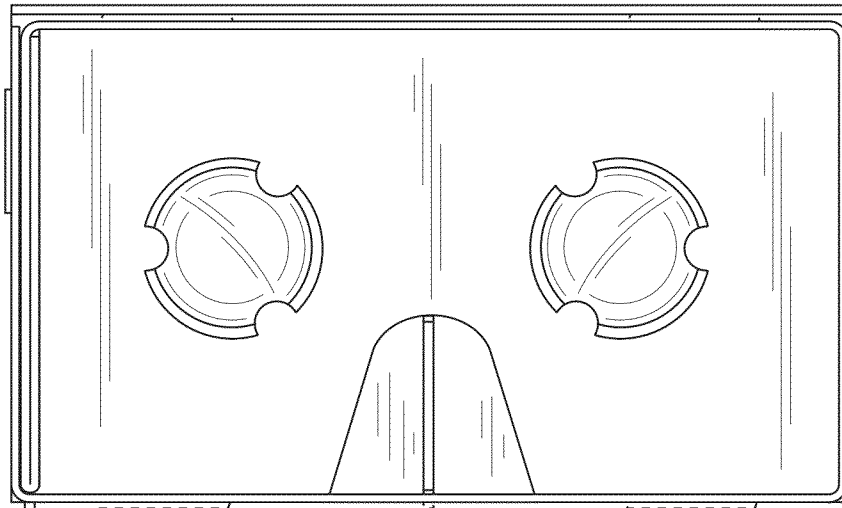


FIG.13

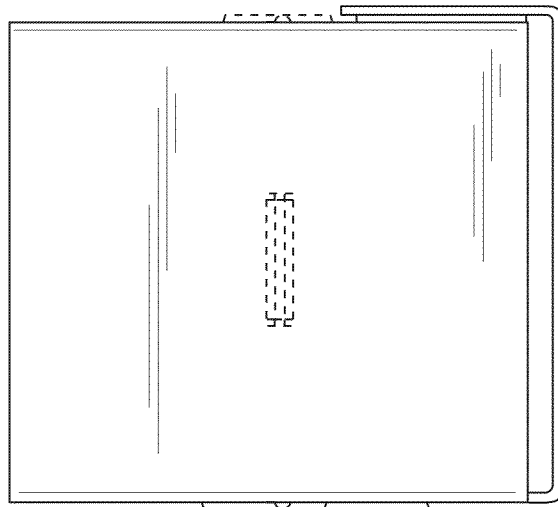


FIG.14

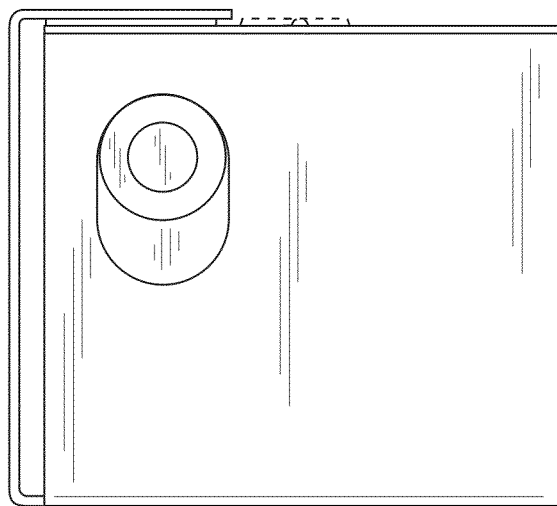




FIG.15

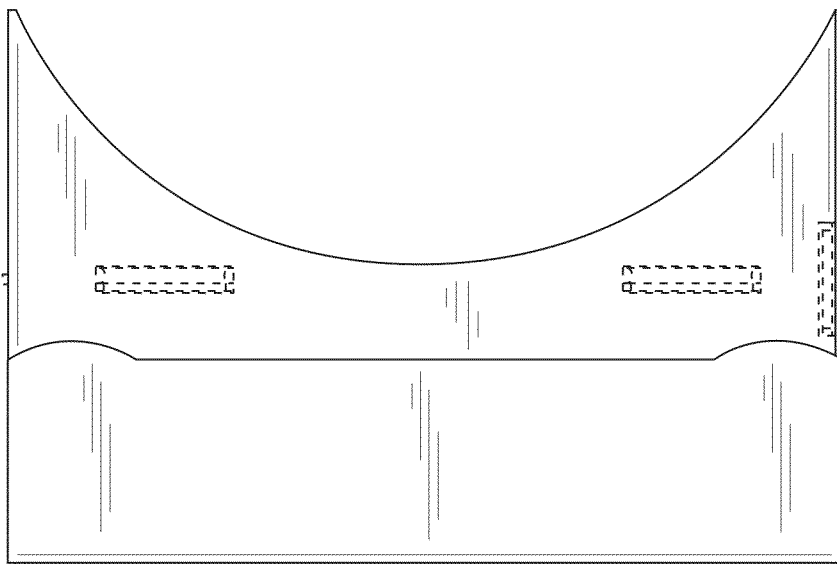


FIG.16

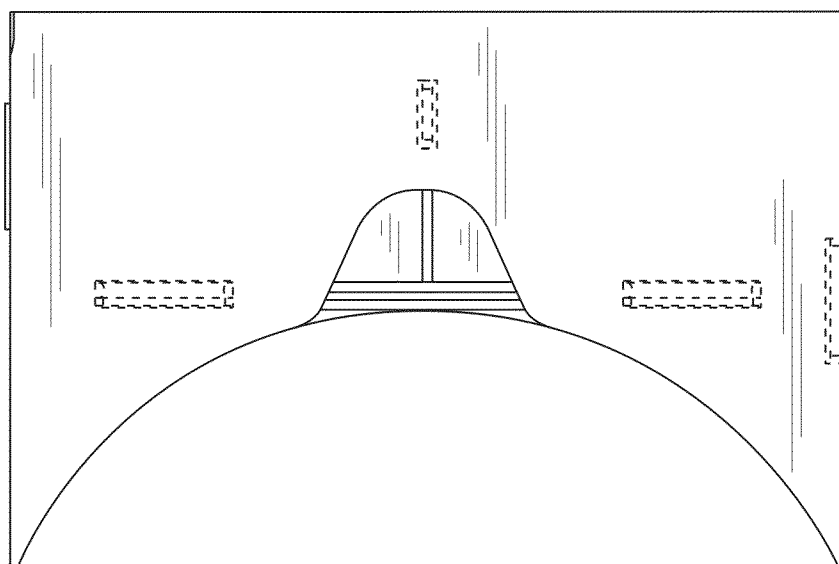


FIG.17

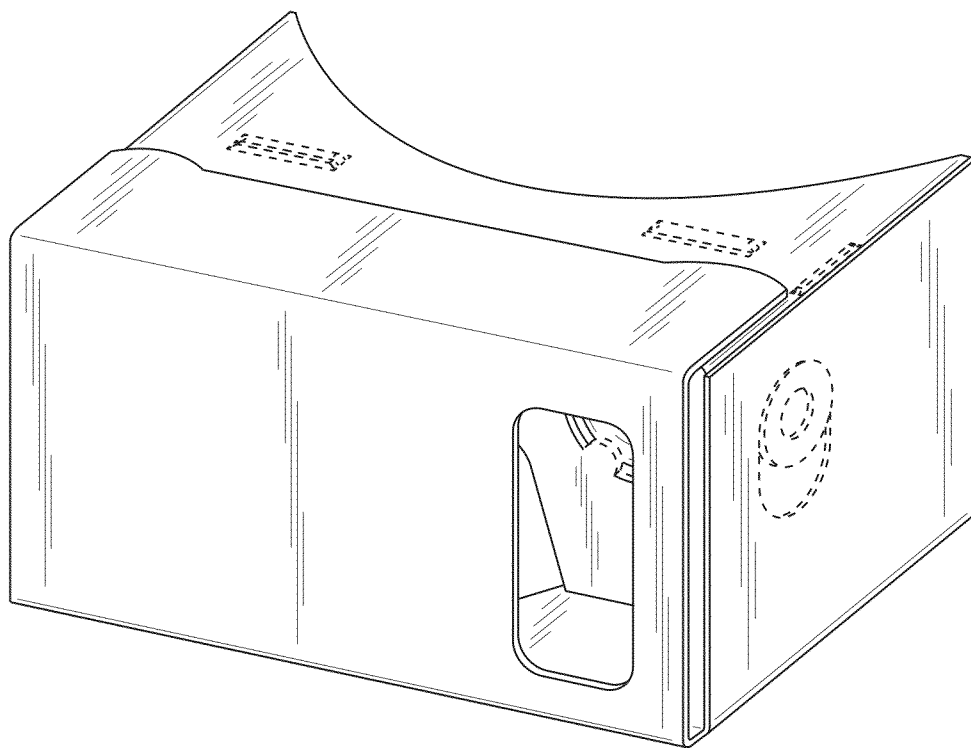


FIG.18

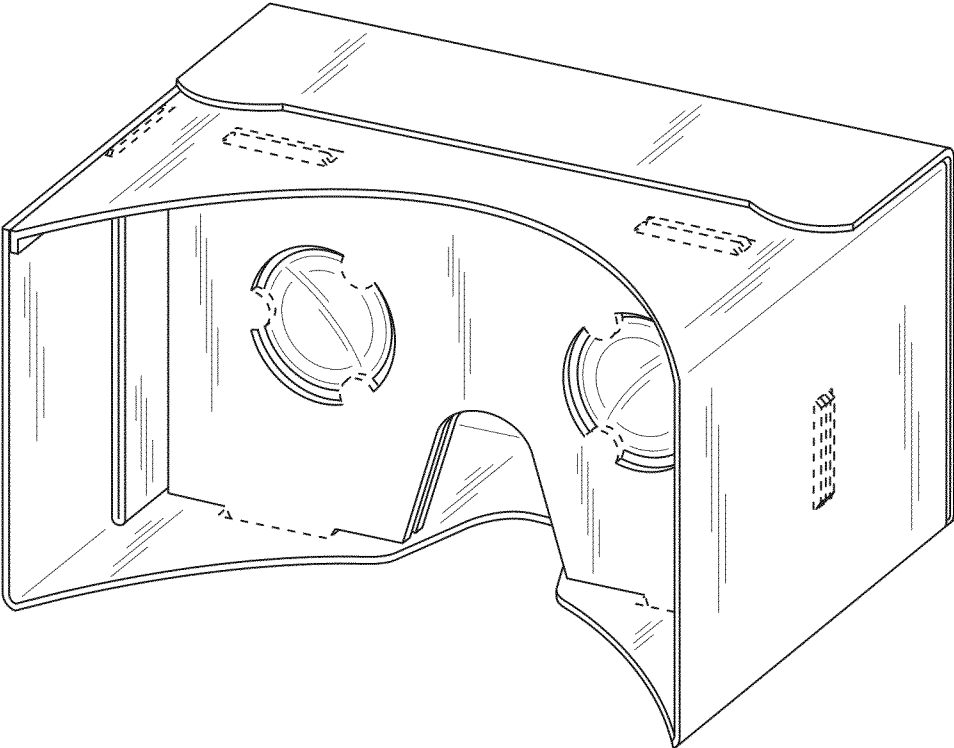


FIG.19

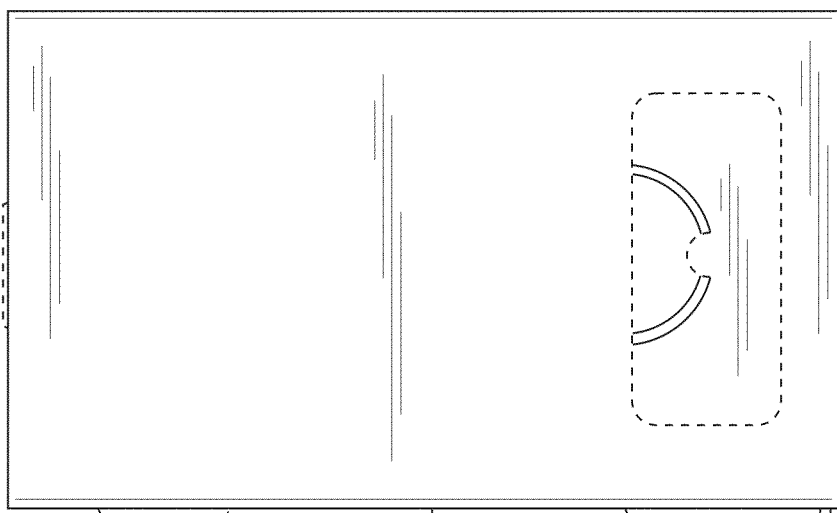


FIG.20

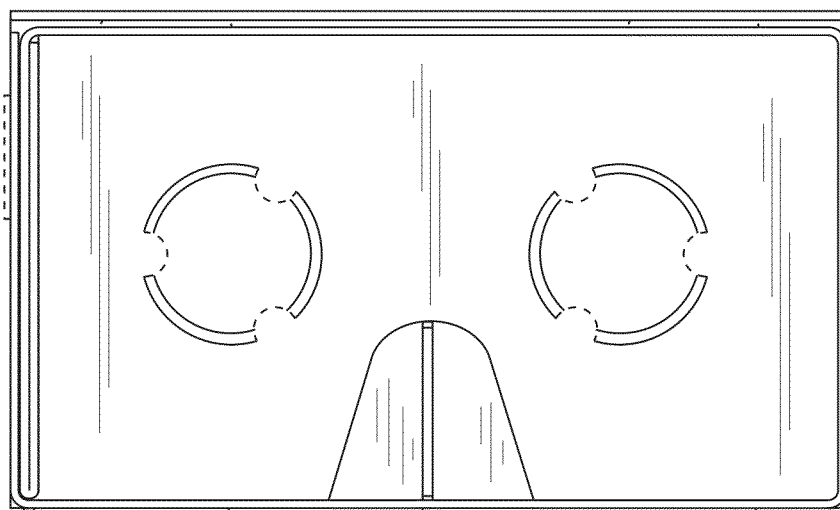


FIG.21

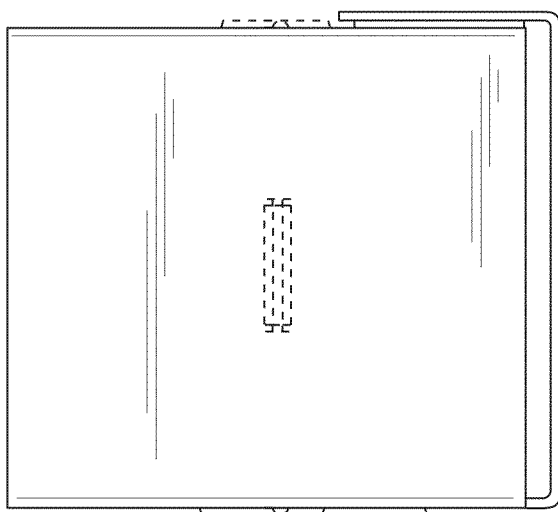


FIG.22

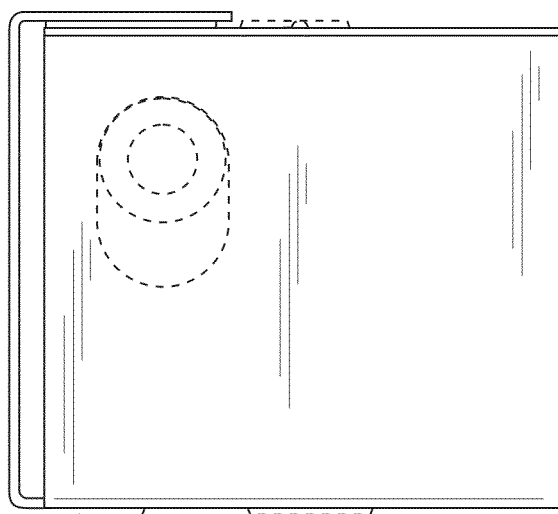




FIG.23

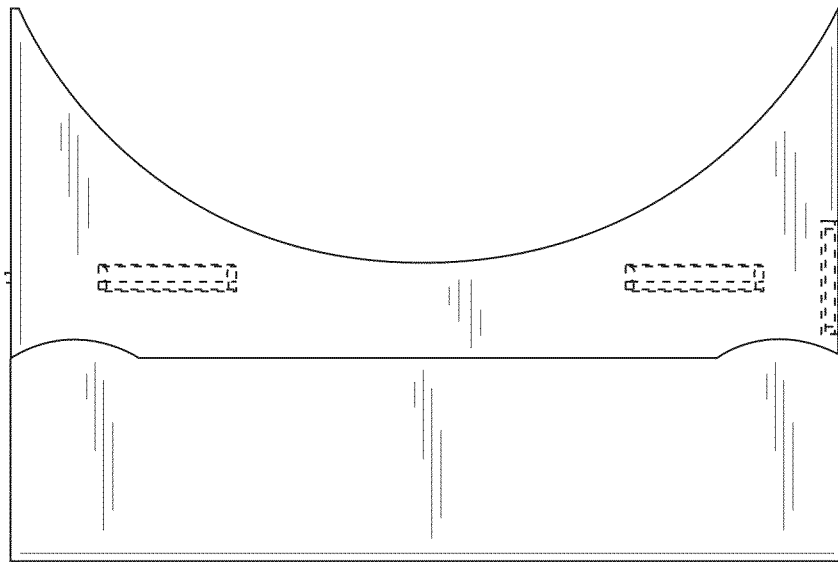


FIG.24

